



Product Description

Available with a wide range of different instruments for safe operation due to the incorporated pressure regulator with integrated filter system mounted on a plate or in housing. For operating pressures up to 12 bar (174 PSI).

Technical Features

Gas supply systems GPS are specially designed for contact-free operation for gas-lubricated mechanical seals. The gas supplied from the supply network (e.g., air or nitrogen) is regulated/monitored by the GPS in accordance with the requirements of the gas seals. The GPS systems are equipped with alarm and/or switch-off points depending on specific safety requirements. Circulation in accordance with API 682 / ISO 21049: Plan 74

Functional Description

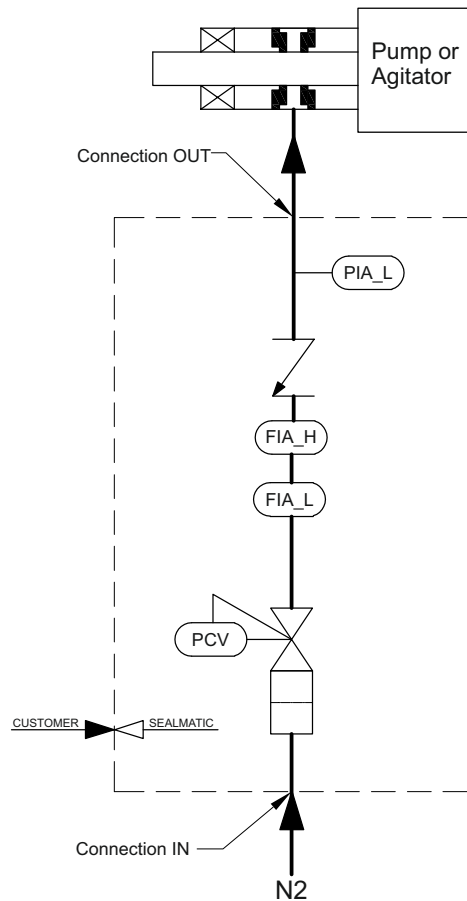
GPS is a pressurize plan 74 which uses gas (e.g. Nitrogen) as a barrier medium for gas lubricated mechanical seals. The barrier gas pressure, p3 must always be higher than the medium pressure, p1. For individual seal types, the minimum pressure difference (Δp) is specified separately.

Main GPS functions

- Filtering of barrier gas
- Pressure monitoring and regulation
- Flow monitoring

Typical tasks for the GPS

- Barrier gas supply for double seals
- Gas flushing for single seals
- Gas supply for tandem seals



- PCV : Pressure control value
- FIA_L : Flow meter with MIN Contact
- FIA_H : Flow meter with MAX Contact
- PIA_L : Pressure Gauge

Note: To assure a sufficient supply of the mechanical seal, pressure at entry of the supply system must be min. 2 bar (29 PSI) above max. barrier pressure always.

Advantages

- GPS System mounted in a housing or can be mounted on a plate
- Different instruments with wide scope available for safe operation

Recommended application

- Chemical industry
- Petrochemical industry
- Power plant technology
- Refining technology
- Oil and gas industry

Technical Data

Designation	GPS
Max. Operating Pressure	12 bar (174 PSI)
Max. Operating Temperature	60°C
Medium	Nitrogen / Air